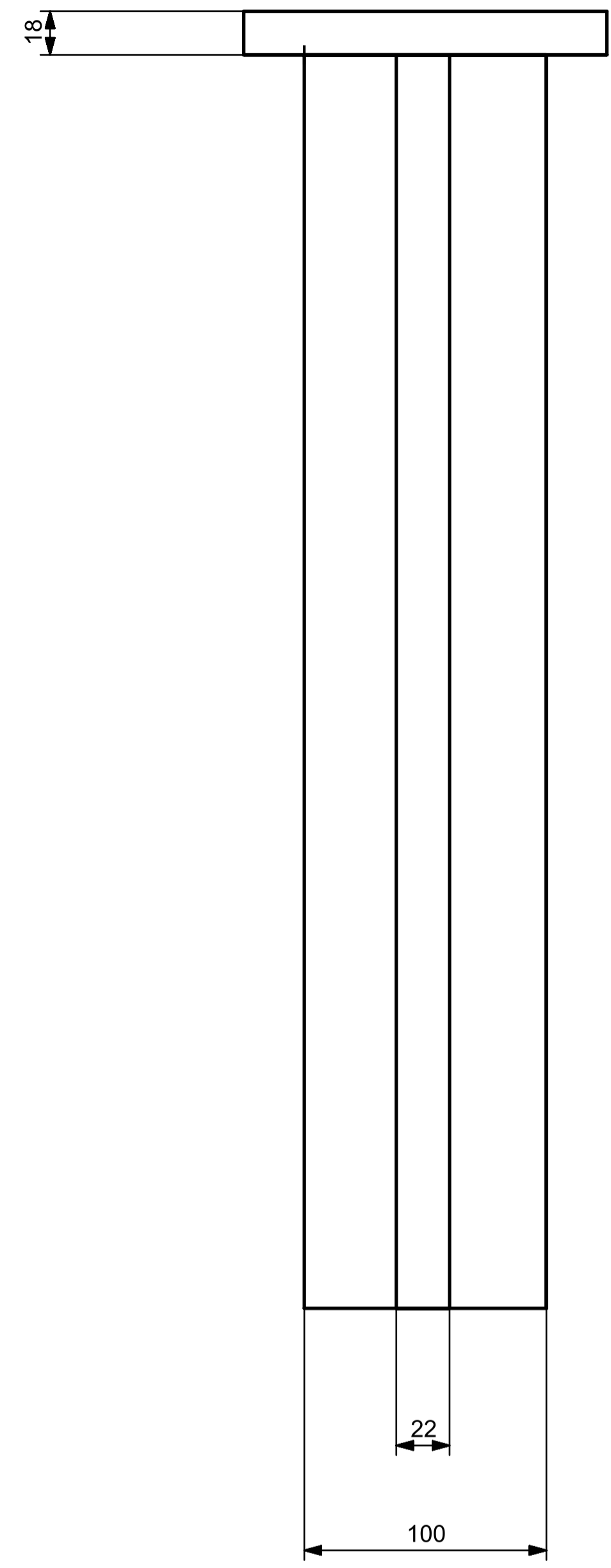
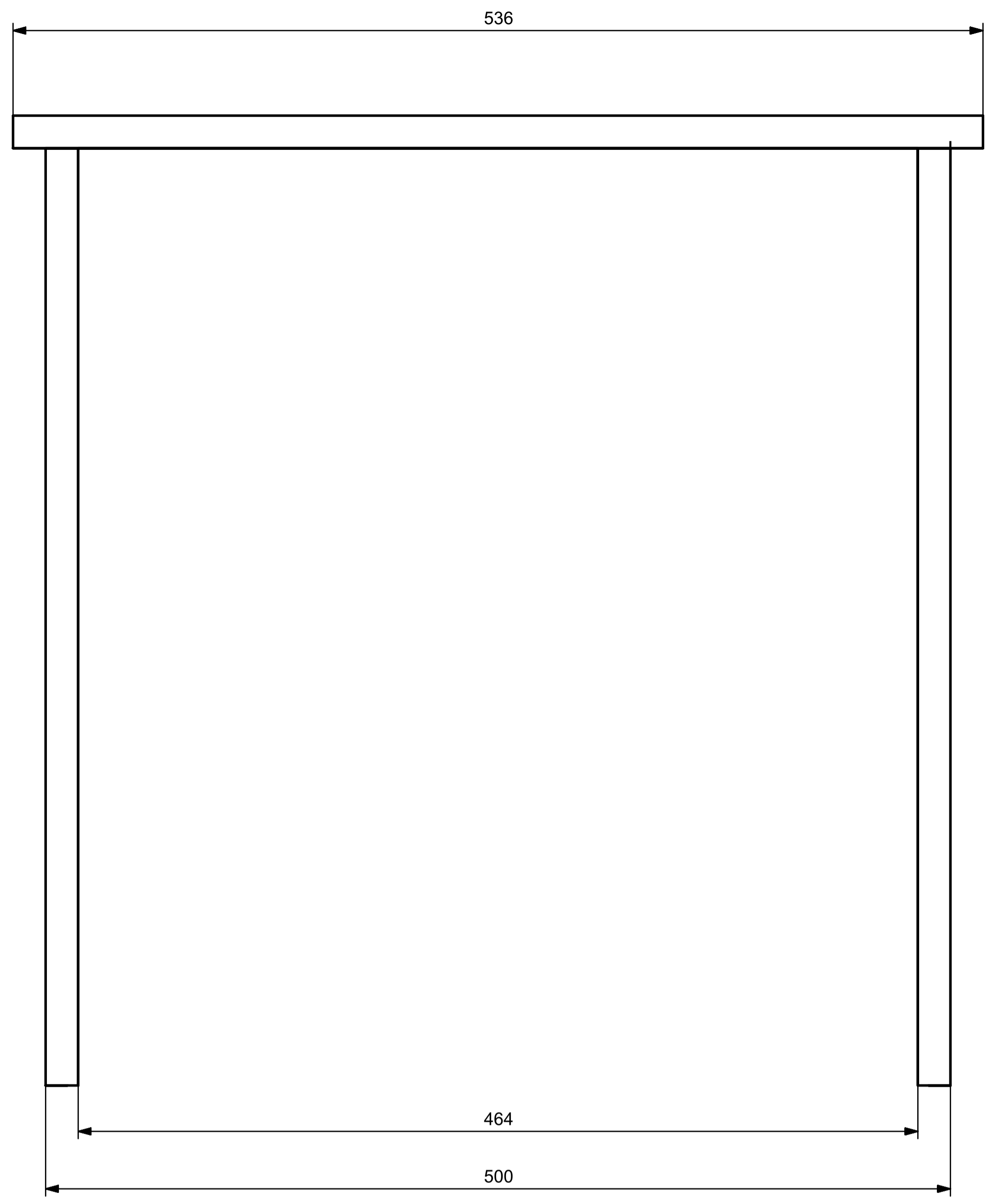
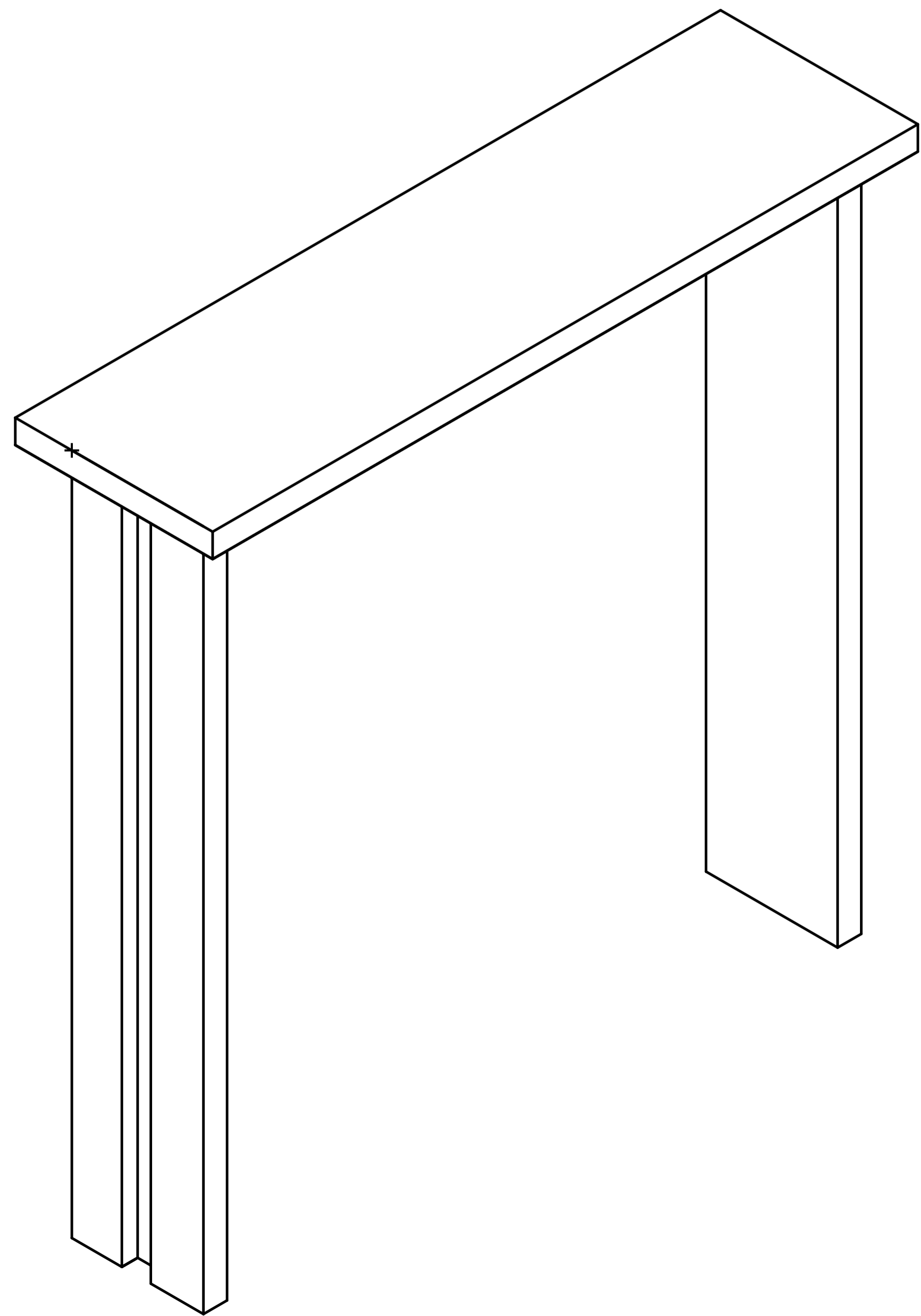
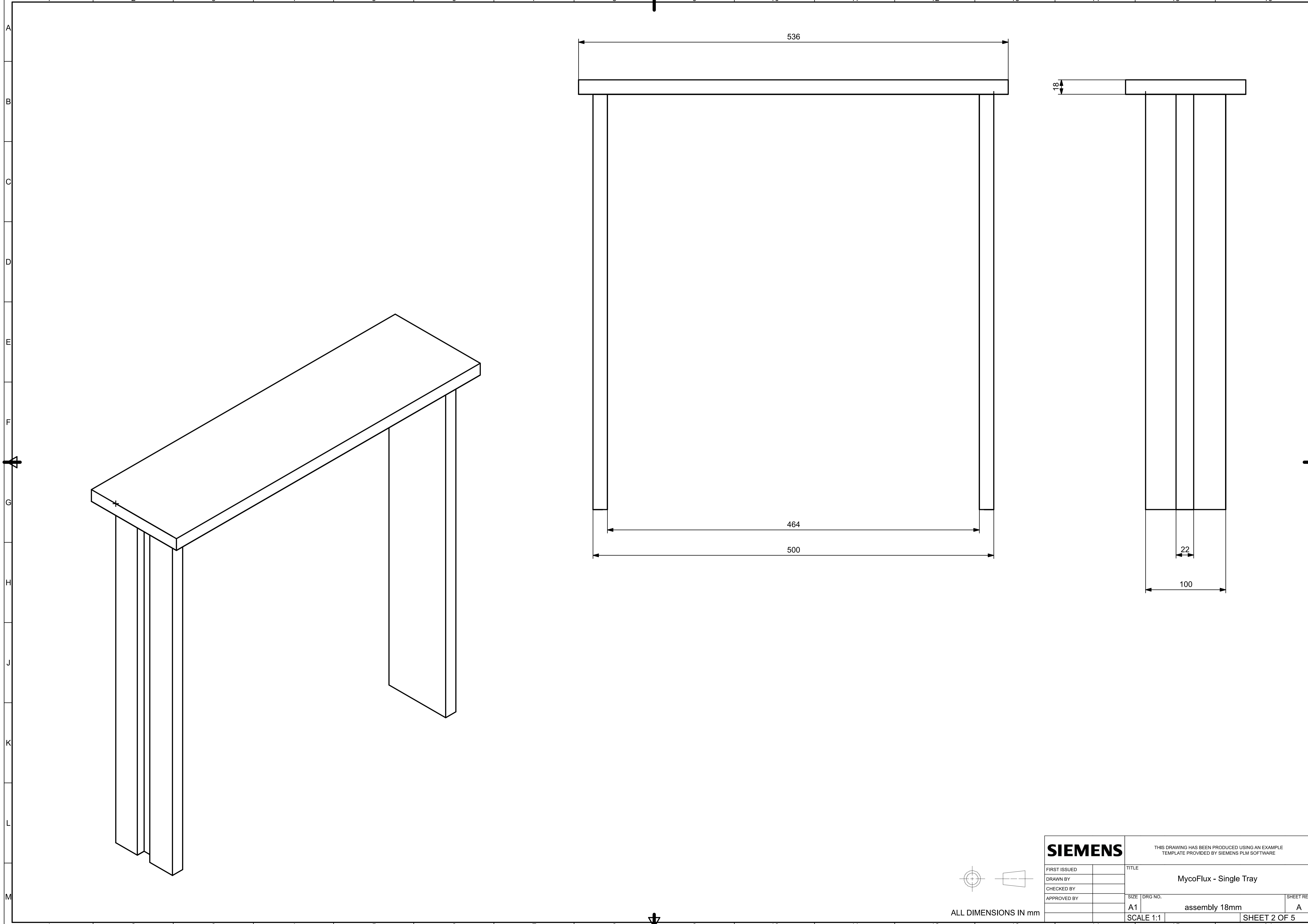
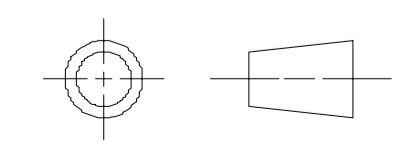


ALL DIMENSIONS IN mm

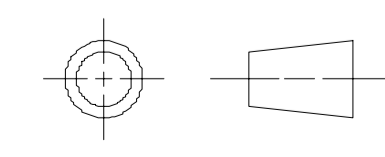
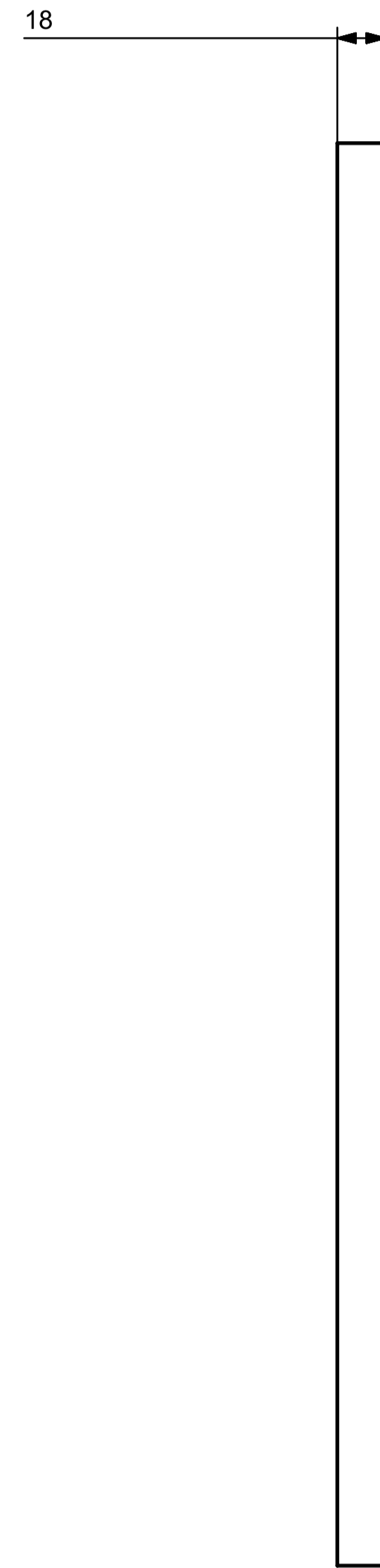
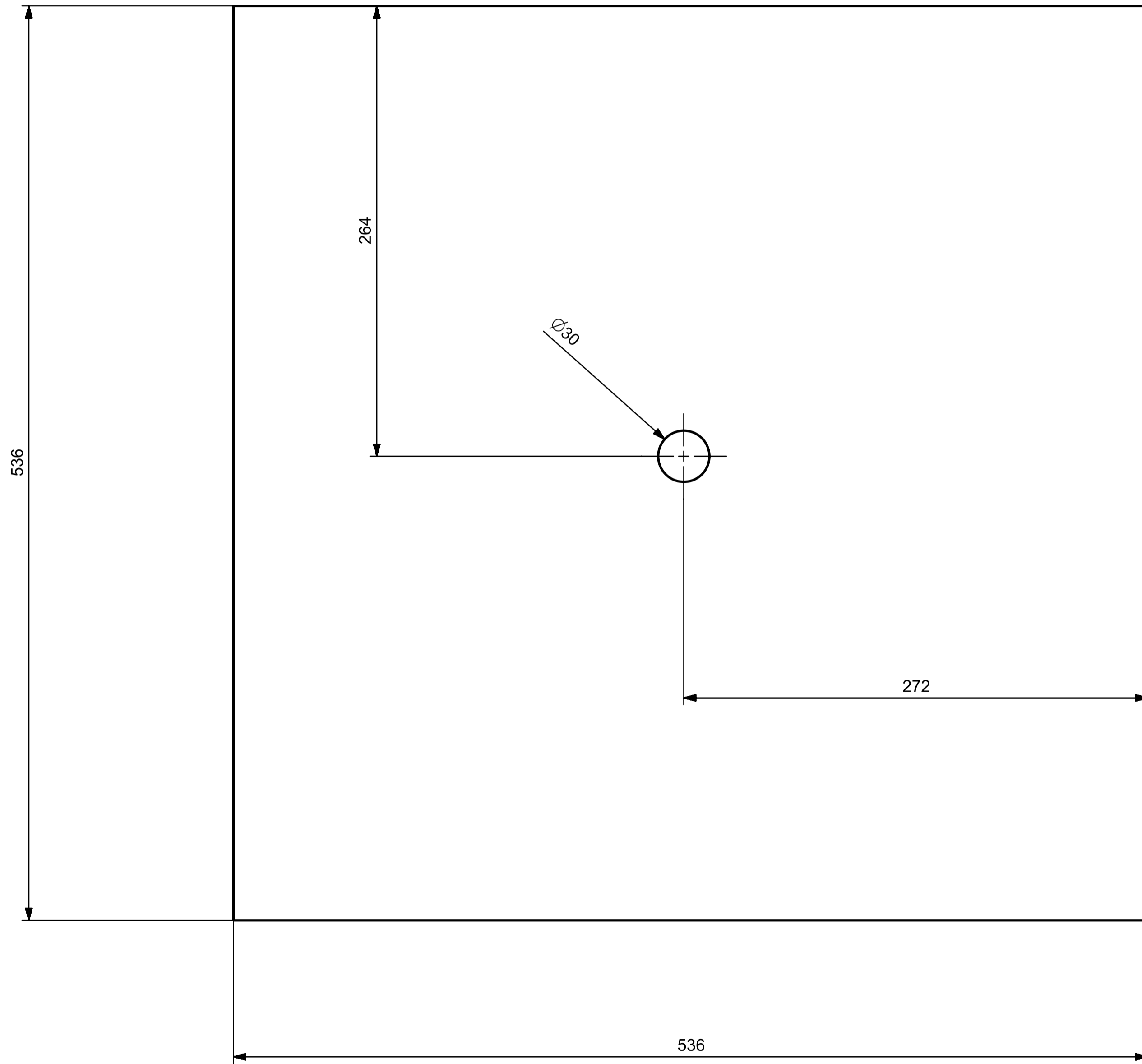
SIEMENS		THIS DRAWING HAS BEEN PRODUCED USING AN EXAMPLE TEMPLATE PROVIDED BY SIEMENS PLM SOFTWARE	
FIRST ISSUED		TITLE	MycoFlux - Chassis
DRAWN BY		SIZE	A0
CHECKED BY		SCALE	1:1
APPROVED BY		assembly	18mm
		SHEET NO.	1 OF 5
		SHEET REV.	A



SIEMENS		THIS DRAWING HAS BEEN PRODUCED USING AN EXAMPLE TEMPLATE PROVIDED BY SIEMENS PLM SOFTWARE	
FIRST ISSUED		TITLE	
DRAWN BY		MycoFlux - Single Tray	
CHECKED BY		SIZE	DRG NO.
APPROVED BY		A1	assembly 18mm
		SCALE 1:1	SHEET REV A
			SHEET 2 OF 5

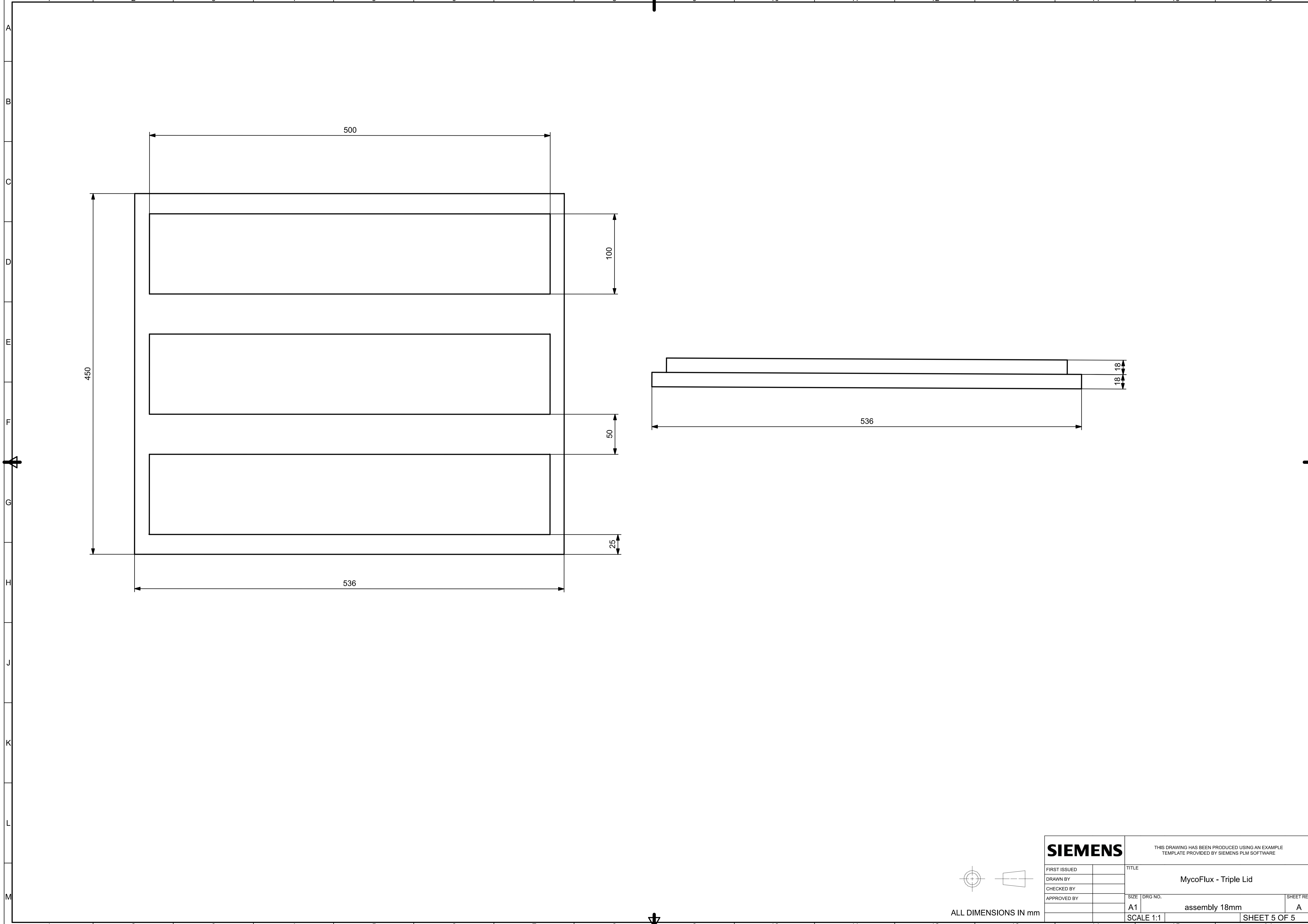


ALL DIMENSIONS IN mm



ALL DIMENSIONS IN mm

SIEMENS		THIS DRAWING HAS BEEN PRODUCED USING AN EXAMPLE TEMPLATE PROVIDED BY SIEMENS PLM SOFTWARE	
FIRST ISSUED		TITLE	
DRAWN BY		MycoFlux - Top Lid	
CHECKED BY		SIZE	DRG NO.
APPROVED BY		A1	assembly 18mm
		SCALE 1:1	SHEET REV
			A
		SHEET 4 OF 5	

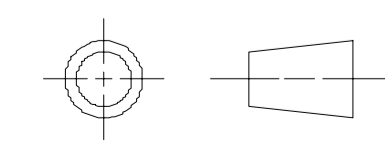


SIEMENS

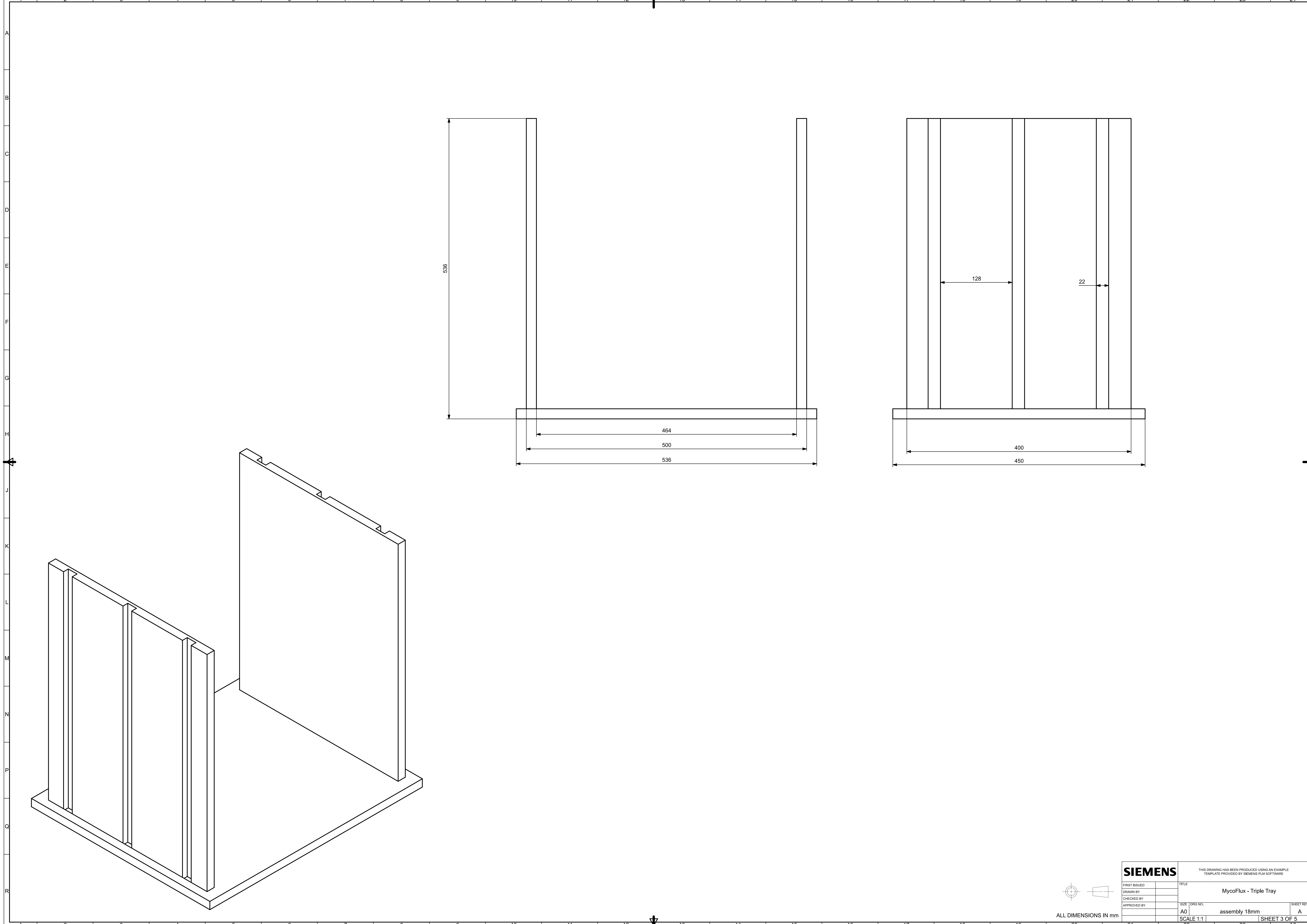
THIS DRAWING HAS BEEN PRODUCED USING AN EXAMPLE
TEMPLATE PROVIDED BY SIEMENS PLM SOFTWARE

FIRST ISSUED	
DRAWN BY	
CHECKED BY	
APPROVED BY	

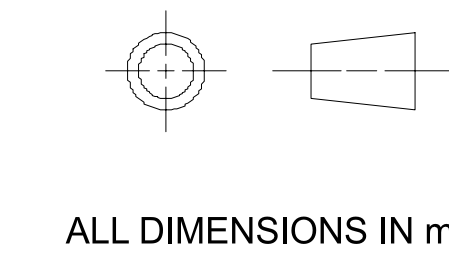
TITLE	
MycoFlux - Triple Lid	
SIZE	DRG NO.
A1	assembly 18mm
SCALE 1:1	SHEET REV A



ALL DIMENSIONS IN mm



SIEMENS		THIS DRAWING HAS BEEN PRODUCED USING AN EXAMPLE TEMPLATE PROVIDED BY SIEMENS PLM SOFTWARE	
FIRST ISSUED		TITLE	MycoFlux - Triple Tray
DRAWN BY		SIZE	A0
CHECKED BY		SCALE	1:1
APPROVED BY		PROJ. NO.	assembly 18mm
			SHEET 3 OF 5
			A



ALL DIMENSIONS IN mm